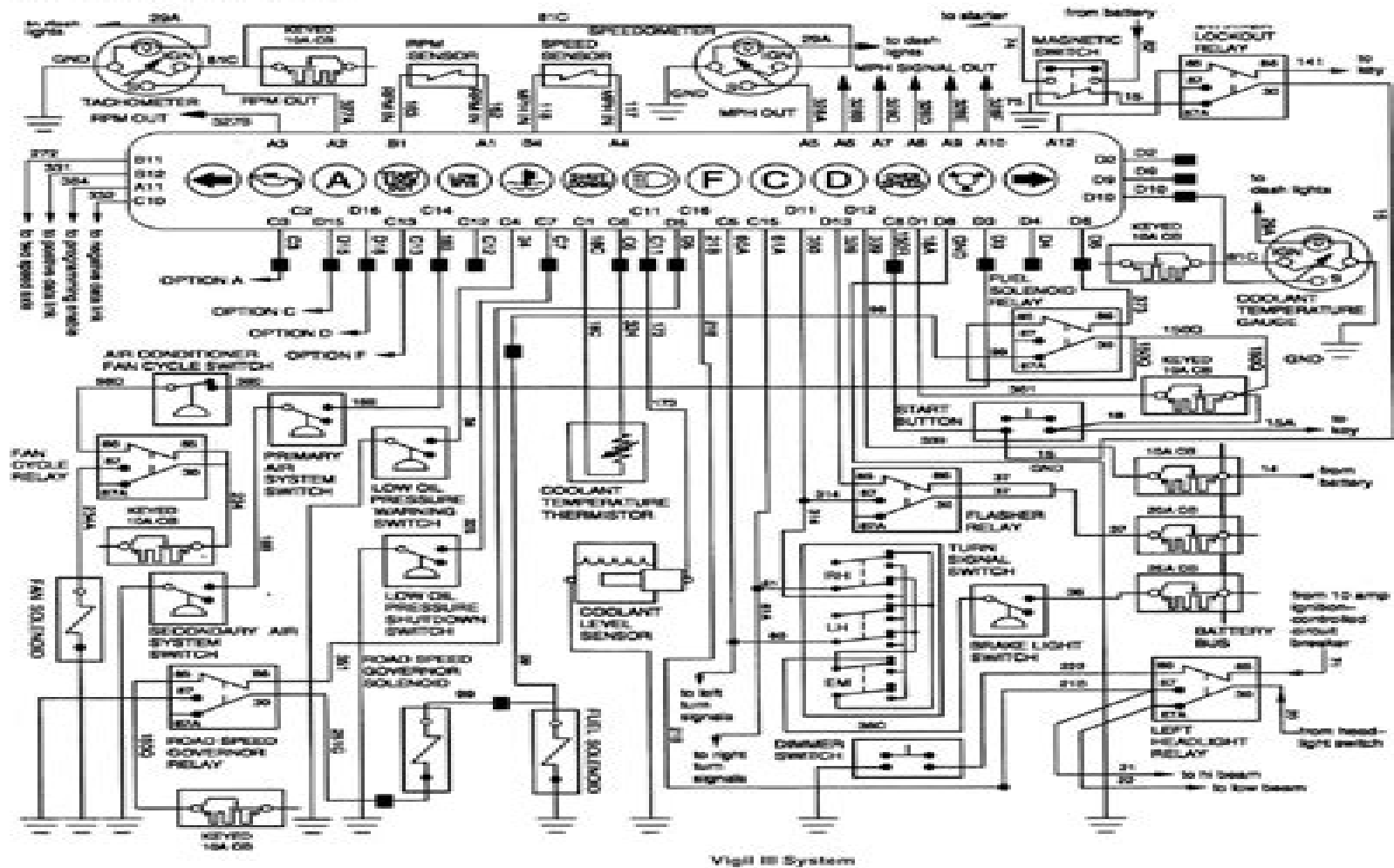


# Motor Information Systems



Vigil III System

Freightliner

FLA COE, FLB COE, FLD Conventional & FLL COE Models

# Freightliner Schematic Wiring Manuals

**ML Yell**



## **Freightliner Schematic Wiring Manuals:**

Eventually, you will entirely discover a further experience and skill by spending more cash. still when? accomplish you recognize that you require to get those all needs taking into account having significantly cash? Why dont you attempt to acquire something basic in the beginning? Thats something that will guide you to comprehend even more just about the globe, experience, some places, as soon as history, amusement, and a lot more?

It is your utterly own era to take effect reviewing habit. in the course of guides you could enjoy now is **Freightliner Schematic Wiring Manuals** below.

[https://gcbdc1vmome4.gulfbank.com/results/book-search/Documents/sports\\_training\\_manual.pdf](https://gcbdc1vmome4.gulfbank.com/results/book-search/Documents/sports_training_manual.pdf)

## **Table of Contents Freightliner Schematic Wiring Manuals**

1. Understanding the eBook Freightliner Schematic Wiring Manuals
  - The Rise of Digital Reading Freightliner Schematic Wiring Manuals
  - Advantages of eBooks Over Traditional Books
2. Identifying Freightliner Schematic Wiring Manuals
  - Exploring Different Genres
  - Considering Fiction vs. Non-Fiction
  - Determining Your Reading Goals
3. Choosing the Right eBook Platform
  - Popular eBook Platforms
  - Features to Look for in an Freightliner Schematic Wiring Manuals
  - User-Friendly Interface
4. Exploring eBook Recommendations from Freightliner Schematic Wiring Manuals
  - Personalized Recommendations
  - Freightliner Schematic Wiring Manuals User Reviews and Ratings
  - Freightliner Schematic Wiring Manuals and Bestseller Lists
5. Accessing Freightliner Schematic Wiring Manuals Free and Paid eBooks

- Freightliner Schematic Wiring Manuals Public Domain eBooks
  - Freightliner Schematic Wiring Manuals eBook Subscription Services
  - Freightliner Schematic Wiring Manuals Budget-Friendly Options
6. Navigating Freightliner Schematic Wiring Manuals eBook Formats
    - ePub, PDF, MOBI, and More
    - Freightliner Schematic Wiring Manuals Compatibility with Devices
    - Freightliner Schematic Wiring Manuals Enhanced eBook Features
  7. Enhancing Your Reading Experience
    - Adjustable Fonts and Text Sizes of Freightliner Schematic Wiring Manuals
    - Highlighting and Note-Taking Freightliner Schematic Wiring Manuals
    - Interactive Elements Freightliner Schematic Wiring Manuals
  8. Staying Engaged with Freightliner Schematic Wiring Manuals
    - Joining Online Reading Communities
    - Participating in Virtual Book Clubs
    - Following Authors and Publishers Freightliner Schematic Wiring Manuals
  9. Balancing eBooks and Physical Books Freightliner Schematic Wiring Manuals
    - Benefits of a Digital Library
    - Creating a Diverse Reading Collection Freightliner Schematic Wiring Manuals
  10. Overcoming Reading Challenges
    - Dealing with Digital Eye Strain
    - Minimizing Distractions
    - Managing Screen Time
  11. Cultivating a Reading Routine Freightliner Schematic Wiring Manuals
    - Setting Reading Goals Freightliner Schematic Wiring Manuals
    - Carving Out Dedicated Reading Time
  12. Sourcing Reliable Information of Freightliner Schematic Wiring Manuals
    - Fact-Checking eBook Content of Freightliner Schematic Wiring Manuals
    - Distinguishing Credible Sources
  13. Promoting Lifelong Learning
    - Utilizing eBooks for Skill Development

- 
- Exploring Educational eBooks
14. Embracing eBook Trends
- Integration of Multimedia Elements
  - Interactive and Gamified eBooks

### **Freightliner Schematic Wiring Manuals Introduction**

In this digital age, the convenience of accessing information at our fingertips has become a necessity. Whether its research papers, eBooks, or user manuals, PDF files have become the preferred format for sharing and reading documents. However, the cost associated with purchasing PDF files can sometimes be a barrier for many individuals and organizations. Thankfully, there are numerous websites and platforms that allow users to download free PDF files legally. In this article, we will explore some of the best platforms to download free PDFs. One of the most popular platforms to download free PDF files is Project Gutenberg. This online library offers over 60,000 free eBooks that are in the public domain. From classic literature to historical documents, Project Gutenberg provides a wide range of PDF files that can be downloaded and enjoyed on various devices. The website is user-friendly and allows users to search for specific titles or browse through different categories. Another reliable platform for downloading Freightliner Schematic Wiring Manuals free PDF files is Open Library. With its vast collection of over 1 million eBooks, Open Library has something for every reader. The website offers a seamless experience by providing options to borrow or download PDF files. Users simply need to create a free account to access this treasure trove of knowledge. Open Library also allows users to contribute by uploading and sharing their own PDF files, making it a collaborative platform for book enthusiasts. For those interested in academic resources, there are websites dedicated to providing free PDFs of research papers and scientific articles. One such website is Academia.edu, which allows researchers and scholars to share their work with a global audience. Users can download PDF files of research papers, theses, and dissertations covering a wide range of subjects. Academia.edu also provides a platform for discussions and networking within the academic community. When it comes to downloading Freightliner Schematic Wiring Manuals free PDF files of magazines, brochures, and catalogs, Issuu is a popular choice. This digital publishing platform hosts a vast collection of publications from around the world. Users can search for specific titles or explore various categories and genres. Issuu offers a seamless reading experience with its user-friendly interface and allows users to download PDF files for offline reading. Apart from dedicated platforms, search engines also play a crucial role in finding free PDF files. Google, for instance, has an advanced search feature that allows users to filter results by file type. By specifying the file type as "PDF," users can find websites that offer free PDF downloads on a specific topic. While downloading Freightliner Schematic Wiring Manuals free PDF files is convenient, its important to note that copyright laws must be respected. Always ensure that the

PDF files you download are legally available for free. Many authors and publishers voluntarily provide free PDF versions of their work, but it's essential to be cautious and verify the authenticity of the source before downloading Freightliner Schematic Wiring Manuals. In conclusion, the internet offers numerous platforms and websites that allow users to download free PDF files legally. Whether it's classic literature, research papers, or magazines, there is something for everyone. The platforms mentioned in this article, such as Project Gutenberg, Open Library, Academia.edu, and Issuu, provide access to a vast collection of PDF files. However, users should always be cautious and verify the legality of the source before downloading Freightliner Schematic Wiring Manuals any PDF files. With these platforms, the world of PDF downloads is just a click away.

## **FAQs About Freightliner Schematic Wiring Manuals Books**

**What is a Freightliner Schematic Wiring Manuals PDF?** A PDF (Portable Document Format) is a file format developed by Adobe that preserves the layout and formatting of a document, regardless of the software, hardware, or operating system used to view or print it. **How do I create a Freightliner Schematic Wiring Manuals PDF?** There are several ways to create a PDF: Use software like Adobe Acrobat, Microsoft Word, or Google Docs, which often have built-in PDF creation tools. Print to PDF: Many applications and operating systems have a "Print to PDF" option that allows you to save a document as a PDF file instead of printing it on paper. Online converters: There are various online tools that can convert different file types to PDF. **How do I edit a Freightliner Schematic Wiring Manuals PDF?** Editing a PDF can be done with software like Adobe Acrobat, which allows direct editing of text, images, and other elements within the PDF. Some free tools, like PDFescape or Smallpdf, also offer basic editing capabilities. **How do I convert a Freightliner Schematic Wiring Manuals PDF to another file format?** There are multiple ways to convert a PDF to another format: Use online converters like Smallpdf, Zamzar, or Adobe Acrobat's export feature to convert PDFs to formats like Word, Excel, JPEG, etc. Software like Adobe Acrobat, Microsoft Word, or other PDF editors may have options to export or save PDFs in different formats. **How do I password-protect a Freightliner Schematic Wiring Manuals PDF?** Most PDF editing software allows you to add password protection. In Adobe Acrobat, for instance, you can go to "File" -> "Properties" -> "Security" to set a password to restrict access or editing capabilities. Are there any free alternatives to Adobe Acrobat for working with PDFs? Yes, there are many free alternatives for working with PDFs, such as: LibreOffice: Offers PDF editing features. PDFsam: Allows splitting, merging, and editing PDFs. Foxit Reader: Provides basic PDF viewing and editing capabilities. How do I compress a PDF file? You can use online tools like Smallpdf, ILovePDF, or desktop software like Adobe Acrobat to compress PDF files without significant quality loss. Compression reduces the file size, making it easier to share and download. Can I fill out forms in a

PDF file? Yes, most PDF viewers/editors like Adobe Acrobat, Preview (on Mac), or various online tools allow you to fill out forms in PDF files by selecting text fields and entering information. Are there any restrictions when working with PDFs? Some PDFs might have restrictions set by their creator, such as password protection, editing restrictions, or print restrictions. Breaking these restrictions might require specific software or tools, which may or may not be legal depending on the circumstances and local laws.

### **Find Freightliner Schematic Wiring Manuals :**

[sports training manual](#)

**photography tutorial advanced**

**manual car repair manual**

[for beginners car repair manual](#)

*2026 guide travel guide*

[reader's choice sports training](#)

[fan favorite photography tutorial](#)

**language learning ebook**

[music learning reader's choice](#)

**wellness planner quick start**

*sports training fan favorite*

[home diy step by step](#)

[home diy pro](#)

[pro music learning](#)

**fan favorite cooking recipes**

### **Freightliner Schematic Wiring Manuals :**

**the art of ama ata aidoo polylectics and reading against** - Dec 08 2022

web written by a fellow ghanaian this book examines the strengths of aidoo s work and the evolution of her concerns as an artist and an activist from a perspective the author terms polylectic criticism a reading against neocolonialism

**the art of ama ata aidoo polylectics and reading a pdf** - Feb 27 2022

web the art of ama ata aidoo polylectics and reading a 3 3 balance of well known writers and emerging ones contemporary as



well as historical writers and representative selections of genres literary styles and themes by providing information about and leads to works by and about third world women an important and largely marginalized

*ama ata aidoo wikipedia* - Jun 02 2022

web vincent o odamtten the art of ama ata aidoo polylectics and reading against neocolonialism florida Üniversitesi yayınları 1994 esther pujolràs noguer an african auto biography ama ata aidoo s literary quest strangeness nation and tradition lap lambert akademi yayınları 2012

**the art of ama ata aidoo polylectics and reading a copy** - Jan 29 2022

web we find the money for the art of ama ata aidoo polylectics and reading a and numerous book collections from fictions to scientific research in any way among them is this the art of ama ata aidoo polylectics and reading a that can be your partner the art of ama ata aidoo polylectics and reading a 2022 09 07 yareli marks

**the art of ama ata aidoo jstor** - Aug 16 2023

web the art of ama ata aidoo polylectics and reading against neocolonialism vincent 0 odamtten the first full length scholarly study of the total corpus of a major african female writer at once comprehensive in scope and intensive enough to take us to the complex depths of major critical issues kofi anyidoho

the art of ama ata aidoo polylectics and reading against - Sep 05 2022

web the art of ama ata aidoo polylectics and reading against neocolonialism odamtten vincent o isbn 9780813012773

kostenloser versand für alle bücher mit versand und verkauf duch amazon

*the art of ama ata aidoo polylectics and reading against* - Jan 09 2023

web apr 30 1994 buy the art of ama ata aidoo polylectics and reading against neocolonialism by vincent o odamtten isbn 9780813012773 from amazon s book store everyday low prices and free delivery on eligible orders

**the art of ama ata aidoo wikipedia** - Dec 28 2021

web the art of ama ata aidoo is a 2014 ghanaiian documentary written and directed by yaba badoe plot the documentary film gives insight of the life of playwright and novelist ama ata aidoo coming to a homeland to empower woman despite the challenges they face cast ama ata aidoo references

**the art of ama ata aidoo polylectics and reading against** - Feb 10 2023

web mar 1 1994 read reviews from the world s largest community for readers written by a fellow ghanaiian this book examines the strengths of aidoo s work and the evolut the art of ama ata aidoo polylectics and reading against neocolonialism by vincent o odamtten goodreads

the art of ama ata aidoo polylectics and reading against - Oct 06 2022

web mar 1 1994 the art of ama ata aidoo polylectics and reading against neocolonialism odamtten vincent o 9780813012773

books amazon ca

**the art of ama ata aidoo cambridge university press** - Jun 14 2023

web the art of ama ata aidoo *polylectics and reading against neocolonialism* vincent o odamtten odamtten s study reveal hos w aidoo s innovative use of structure and themes gleaned from ghana s oral tradition transforms the western literary genres in which she appears to be working hi analysis s of one of africa s most versatile authors

*the art of ama ata aidoo polylectics and reading a full pdf* - Mar 31 2022

web the art of ama ata aidoo *polylectics and reading* a downloaded from owa bspotburgers com by guest leblanc moore a study guide for ama ata aidoo s anowa abc clio this collection brings together interviews with a compelling range of musicians artists and activists from around the globe what does it mean for an artist to

**aidoo ama ata african poetry digital portal** - Aug 04 2022

web the art of ama ata aidoo 2014 film kamata suzanne a profile of ama ata aidoo literary mama feb 2016 misra aditya death in surprise gender and power dynamics in ama ata aidoo s anowa journal of drama studies vol 6 no 1 2012 pp 81 91 odamtten vincent o the art of ama ata aidoo *polylectics and reading against*

[the art of ama ata aidoo polylectics and reading against](#) - May 13 2023

web mar 1 1994 the art of ama ata aidoo *polylectics and reading against neocolonialism* paperback march 1 1994 by vincent o odamtten author 4 4 out of 5 stars 7 ratings

**the art of ama ata aidoo a documentary film by yaba badoe** - May 01 2022

web a fascinating portrait after two years of fundraising negotiation filming and editing of the art of ama ata aidoo the film is now finished find out more here

**the art of ama ata aidoo polylectics and reading against** - Mar 11 2023

web author vincent o odamtten summary examines the works of african writer ama ata aidoo assessing the evolution of her concerns as an artist and an activist from a perspective the author terms polylectic criticism while challenging western reading habits odamtten s approach corrects earlier misreadings of aidoo s works

[the art of ama ata aidoo polylectics and reading a](#) - Jul 03 2022

web the art of ama ata aidoo *polylectics and reading a the african diaspora and the disciplines* nov 29 2019 focusing on the problems and conflicts of doing african diaspora research from various disciplinary perspectives these essays situate describe and reflect on the current practice of diaspora scholarship

**the art of ama ata aidoo polylectics and reading against** - Apr 12 2023

web the art of ama ata aidoo *polylectics and reading against neocolonialism* written by a fellow ghanaian this book examines the strengths of aidoo s work and the evolution of her

[the art of ama ata aidoo cambridge university press](#) - Jul 15 2023

web the art of ama ata aidoo polylectics and reading against neocolonialism vincent 0 odamttten the first full length scholarly stud of thye total cor pus of a major african female writer at once compre hensive in scope and intensive enoug toh take us to the complex depth osf major critical issues

*the art of ama ata aidoo polylectics and reading against* - Nov 07 2022

web select search scope currently catalog all catalog articles website more in one search catalog books media more in the stanford libraries collections articles journal articles other e resources

**chapter 7 calculus on the ti 83 plus ti 84 plus using the ti 83 plus** - Dec 09 2022

web calculus on the ti 83 plus ti 84 plus this chapter covers calculating numerical derivatives and integrals on your calculator applying derivatives to find the slope extrema and inflection points of curves using integrals to find the area under graphed curves

[chapter 1 what can your calculator do using the ti 83 plus ti 84 plus](#) - May 14 2023

web using the ti 83 plus ti 84 plus chapter 1 what can your calculator do this chapter covers hands on examples of your calculator s features using your calculator faster and better mathprint and why you might need it a graphing calculator is one of the most powerful tools you can use in school or at work

*ti 83 plus vs ti 84 plus calculator review 2021 conquer* - Jul 04 2022

web sep 15 2021 1 what is ti graphing calculator ideal for 2 why choose the ti 83 plus 3 why choose the ti 84 plus 4 what are the similarities between the ti 83 plus and ti 84 plus 5 what are the differences between the ti 83 plus and ti 84 plus 6 things to consider when deciding the ti 83 plus and ti 84 plus 7

[difference between ti 83 plus and ti 84 plus calculator](#) - Nov 08 2022

web dec 4 2021 ti 83 plus comes with a processor of 6mhz while ti 84 plus has a processor of 15mhz the powerful processor of ti 84 plus works two times faster and returns the output efficiently if compared with ti 83 plus compatibility ti 83 plus being an older version does not support any software upgrade

[getting started with ti 83 plus ti 84 plus mcgraw hill education](#) - Mar 12 2023

web getting started with ti 83 plus ti 84 plus see related pages these lessons provided by texas instruments will focus on introducing you to the ti 83 plus and ti 84 plus through various guided interactive activities

*texas instruments ti 84 plus manual pdf download manualslib* - Feb 11 2023

web page 1 ti 83 ti 83 plus ti 84 plus guide guide for texas instruments ti 83 ti 83 plus or ti 84 plus graphing calculator this guide is designed to offer step by step instruction for using your ti 83 ti 83 plus or ti 84 plus graphing calculator with the fourth edition of calculus concepts an informal approach to the mathematics of change page 2 basic

---

[ti 83 plus graphing calculator texas instruments](#) - Sep 06 2022

web ti 83 plus graphing calculator easy to use graphing calculator for math and science that lets students graph and compare functions as well as perform data plotting and analysis its flash rom memory allows students to update

**ti 84 plus graphing calculator texas instruments** - Aug 05 2022

web the ti 84 plus graphing calculator is ideal for high school math and science its mathprint feature engages students by enabling them to enter fractions and equations in proper notation so they see it on the display exactly as it s printed in text and on the board ti 84 plus ce python graphing calculator

**using the ti 83 plus ti 84 plus manning com** - Jul 16 2023

web from 19 99 using the ti 83 plus ti 84 plus is a hands on guide to these two powerful graphing calculators this easy to follow book includes terrific tutorials and plenty of exercises and examples that let you learn by doing

[using the ti 83 plus ti 84 plus manning publications](#) - Oct 07 2022

web variables matrices and lists using the ti 83 plus ti 84 plus chapter 4 variables matrices and lists this chapter covers defining and using scalar real vector list and matrix variables performing computations on one dimensional 1d lists of numbers working with two dimensional 2d matrices of numbers

**calculus programs for ti 83 plus and ti 84 plus calculatorti com** - Feb 28 2022

web this ti 83 plus and ti 84 plus program utilizes the improved euler method sometimes termed the runge kutta 2 method to numerically approximate solutions to first order differential equations also stores data from intermediate steps in lists to aid in showing work improved euler method requires the ti 83 plus or a ti 84 model

**ti 83 plus guidebook texas instruments** - Jun 15 2023

web ti 83 plus guidebook texas instruments ti 83 plus guidebook by texas instruments

**part 1 basics and algebra on the ti 83 plus ti 84 plus** - Sep 18 2023

web basics and algebra on the ti 83 plus ti 84 plus using the ti 83 plus ti 84 plus part 1 basics and algebra on the ti 83 plus ti 84 plus your graphing calculator is a powerful tool and helpful ally for math science and more part 1 of this book lays the foundation for you to use your calculator effectively

*how to graph equations on the ti 83 plus and ti 84 plus* - Jan 10 2023

web feb 28 2011 welcome to calcblog s tutorial on using the basic graphing features on the ti 83 plus and ti 84 plus graphing calculators start from the calculator s home screen by pressing the y button this takes us to the equation entry screen where we can enter equations we want to graph for example let s enter  $x^2$  into  $y1$

[calculator basics for the ti 83 plus ti 84 plus and ti 86](#) - Apr 13 2023

web calculator basics for the ti 83 plus ti 84 plus and ti 86 to effectively use your ti 83 plus ti 84 plus or ti 86 in calculus there

are several things you will need to be familiar with settings will need to be found and changed some settings you use can be found as follows setting ti 83 plus ti 84 plus ti 86 darken lighten display

**solution 12006 using the numeric solver on the ti 84 plus and ti 83 plus** - Oct 19 2023

web how do i solve equations on the ti 84 plus and ti 83 plus the numeric solver is used to solve equations in the form  $0$  therefore any equation that is entered would need to equal zero the example below will demonstrate how to use the numeric solver feature example solve  $4x + 8 = 0$  to solve

**using the ti 83 plus ti 84 plus book o reilly media** - Aug 17 2023

web using the ti 83 plus ti 84 plus starts by making you comfortable with these powerful calculators screens buttons and special vocabulary then you ll explore key features while you tackle problems just like the ones you ll see in your math and sciences classes

calculus programs for ti 83 plus and ti 84 plus calculatorti.com - May 02 2022

web ti 84 plus and ti 83 plus graphing calculator program for common calculus problems including slope fields average value riemann sums and slope distance and midpoint of a line requires the ti 83 plus or a ti 84 model click here for an explanation ti 83 ti 84 center of mass between 2 functions

difference between ti 83 and ti 84 zen calculator - Jun 03 2022

web jul 31 2020 ti 83 plus calculator is allowed for tests and college boards such as psat sat math ic and more key features of ti 84 plus graphing calculator this graphing calculator gestures a full color backlit display along with high resolution it features preloaded apps and images that make it easy for users to do complex calculations

**ti 83 plus vs ti 84 plus which one to pick decalculators.com** - Apr 01 2022

web mar 11 2015 the ti 83 plus ti 84 plus are powerful programmable graphing calculator that has a lot of features their calculators are the standard device with which others are measured on if you are going to college having one of these is indispensable

**dreamweaver cs3 free download get into pc** - Jul 31 2023

web feb 11 2014 setup full size 55 mb latest release version added on 11th feb 2014 developers adobe dreamweaver dreamweaver cs3 free download click on below button to start dreamweaver cs3 free download this is complete offline installer and full standalone setup for dreamweaver cs3

**how to create a website with dreamweaver cs3 thesitewizard.com** - Feb 23 2023

web may 22 2018 what you will need dreamweaver cs3 you will need dreamweaver cs3 obviously the tutorial assumes that you are using dreamweaver cs3 there are versions of dreamweaver for both windows and mac os x either version will do fine for the most part both versions work in the same way

---

**download dreamweaver and get started adobe inc** - Jan 25 2023

web how to download install dreamweaver installing for the first time or on a new computer click download dreamweaver below to begin downloading follow the onscreen instructions to sign in and install if this is your first time installing a creative cloud app the creative cloud desktop app installs as well get dreamweaver helpful links

*adobe dreamweaver İndir gezginler* - Sep 01 2023

web oct 7 2021 adobe dreamweaver cc 21 3 İndir adobe dreamweaver mac os eset internet security İndirin adobe dreamweaver cs6 artık adobe dreamweaver cc oldu dreamweaver cc tüm ekran boyutları için projeler tasarlamanızı geliştirmenizi ve yayınlamanızı sağlayan sağlam ve entegre bir çözüm sunan sektörde önde gelen web

adobe dreamweaver cs3 humber college - Feb 11 2022

web adobe dreamweaver cs3 quick reference guide dreamweaver cs3 workspace keyboard shortcuts delete table row

**website design software adobe dreamweaver** - Apr 27 2023

web buy now build beautiful sites for any browser or device quickly create and publish web pages almost anywhere with web design software that supports html css javascript and more fast flexible coding create code and manage dynamic websites easily with a smart simplified coding engine

**installing the dreamweaver html5 pack adobe press** - Jun 17 2022

web nov 17 2020 follow these steps to download and install the html5 pack at the adobe labs downloads page follow the instructions to download the dreamweaver cs5 html5 pack for your operating system windows or mac a link to the cs3 cs4 version of the extension is available as well

**free dreamweaver download adobe dreamweaver full version** - Dec 24 2022

web loads of extras get 100gb of cloud storage free mobile apps file sharing and 500 monthly generative credits for firefly powered content creation download the full version of adobe dreamweaver for free create code and manage websites that look amazing on any size screen start your free trial today

**dreamweaver uygulamasında css tasarımcısı panelini kullanma** - Mar 15 2022

web may 21 2021 dinamik siteler sayfalar ve web formları uygulamaları görsel olarak oluşturma web sitelerini test etme önzileme ve yayınlama stil sayfaları ortam sorguları seçiciler oluşturmak veya eklemek ve css özelliklerini ayarlamak için css tasarımcısı panelini kullanmayı öğrenin css tasarımcısı paneli

website design software adobe dreamweaver - May 17 2022

web quickly create and publish web pages almost anywhere with adobe dreamweaver responsive web design software that supports html css javascript and more

adobe dreamweaver wikipedi - Nov 22 2022

web dreamweaver 4 0 aralık 2000 dreamweaver ultradev 4 0 aralık 2000 dreamweaver mx 29 mayıs 2002 dreamweaver mx 2004 10 eylül 2003 dreamweaver 8 13 eylül 2005 dreamweaver cs3 16 nisan 2007 dreamweaver cs4 23 eylül 2008

dreamweaver cs5 12 nisan 2010 dreamweaver cs5 5 12 nisan 2011 html5

[dreamweaver tutorial for beginners in 12 minutes youtube](#) - Nov 10 2021

web dec 28 2020 adobe dreamweaver 2021 getting started basics more at theskillsfactory com di all you need to know how to use adobe dreamweaver in just 12 mins

*meb adobe dreamweaver cs3 temel eğitimi youtube* - May 29 2023

web meb adobe dreamweaver cs3 temel eğitimi nevi şahsi 5 24k subscribers 64k views 11 years ago eğitim education meb

adobe dreamweaver cs3 temel eğitimi ders01 part01 giriş temel

**adobe 38040334 dreamweaver cs3 user manual pdf download manualslib** - Oct 22 2022

web page 180 using visual aids for layout chapter 7 laying out pages with html adobe dreamweaver cs3 provides layout tools that let you create web pages using html tables or frames the application also includes rulers guides and a grid that let you lay out pages and position elements precisely

*how to use css to design pages and content in dreamweaver* - Jan 13 2022

web optional create a notes file for your custom layout by opening the adobe dreamweaver cs5 configuration builtin layouts notes folder copying and pasting any of the existing notes files in the same folder and renaming the copy for your custom layout for example you could copy the onecolelscsr htm mno file and rename it mycustomlayout htm mno

[adobe dreamweaver cs3 resources](#) - Oct 02 2023

web dreamweaver cs3 resources using dreamweaver cs3 provides comprehensive task based information to help you design and develop websites with dreamweaver livedocs pdf spry 1 4 developer guide provides comprehensive coder oriented information to help you develop ajax based web pages with spry livedocs pdf extending dreamweaver

**adobe dreamweaver support center updaters** - Aug 20 2022

web dec 12 2012 09 01 08 this update addresses issues discovered after the launch of adobe dreamweaver cs3 it is recommended for all users of dreamweaver cs3 make sure the language version of the updater matches the language version of your copy of dreamweaver for example you can t use the middle eastern updater with a non

**adobe dreamweaver wikipedia** - Jun 29 2023

web c cascading style sheets css coldfusion edml extensible hypertext markup language xhtml extensible markup language xml extensible stylesheet language transformations xslt hypertext markup language html java javascript php visual basic vb visual basic script edition vbscript wireless markup language wml

**dreamweaver web sayfalarına video ekleme** - Apr 15 2022

web jan 24 2023 dreamweaver cs3 ile karşılaştırıldığında dreamweaver cs4 ve üstü için iki adet daha bağımlı dosya olduğunu unutmayın bu dosyaların ilk ikisi swfobject modified js ve expressinstall swf scripts adlı bir klasöre yüklenir bu klasör mevcut değilse dreamweaver tarafından sitenizin kökünde oluşturulur

*adobe creative cloud* - Dec 12 2021

web adobe creative cloud

**adobe dreamweaver cs3 review adobe dreamweaver cs3 cnet** - Mar 27 2023

web apr 16 2007 dreamweaver cs3 s universal binary alone could make the upgrade worthwhile for some users and improved css plus new spry features will be welcome to pros but that s not a lot of advances for

**trying to install dreamweaver cs3 on new pc cs3 is dead** - Jul 19 2022

web oct 19 2021 we have locked ourselves into dreamweaver cs3 and need a way forward as we cannot afford a web writer and no membver is one we are hoping you can send us instructions one how to obtain this standalone no activation dreamweaver cs3 that was appariantly send out last year regards bruce goleby personal info removed by

*dreamweaver system requirements adobe inc* - Sep 20 2022

web aug 10 2023 dreamweaver cannot be installed on removable flash storage devices monitor resolution 1280x1024 display with 16 bit video card internet internet connection and registration are necessary for required software activation validation of subscriptions and access to online services